

A Sierra Monitor Company

Add ProtoCessor power quickly and easily to new and legacy products, without extensive board redesign, with ProtoCarrier, a family of daughter cards that perform **Building and Industrial Automation protocol translation** linking between Serial-Serial, Serial-Ethernet and Serial-LonWorks networks.



ProtoCarrier RS-485 (host)  
to RS-485/Ethernet (field)



ProtoCarrier RS-485 (host)  
to LonWorks (field)

ProtoCarrier allows the OEM to add the extensive functionality of ProtoCessor to new and legacy products without the time and expense of redesigning their hardware. ProtoCarrier is a daughter card to which a ProtoCessor can be attached.

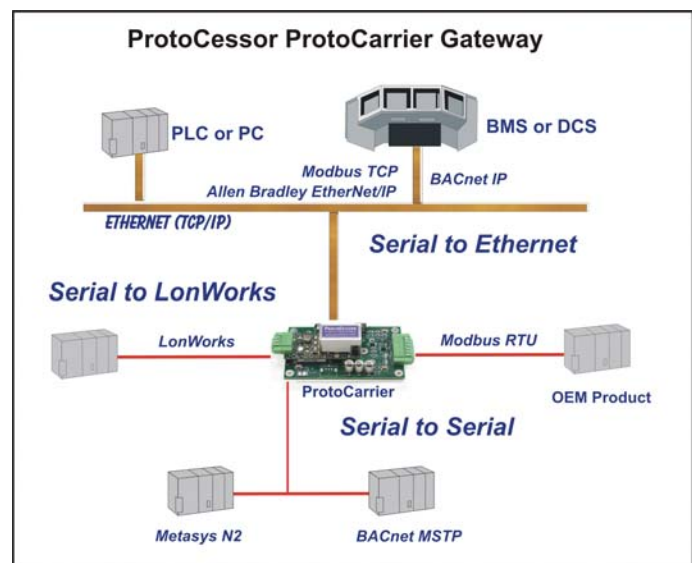
ProtoCarrier has either an RS-232 or RS-485 port on the host side (OEM's product) and a ProtoCessor TTL socket on the board that can accept any ProtoCessor chosen to meet the user's specific need.

FieldServer Technologies can pre-program the ProtoCessor to provide complete Industrial or Building Automation protocol support for the OEM with any of the protocols available for ProtoCessor, including: BACnet MSTP, BACnet IP, Metasys N2 Open, Modbus TCP, Allen Bradley EtherNet/IP LonWorks and many others.

Each ProtoCarrier with ProtoCessor is provided with the necessary protocol drivers. The ProtoCessor mounted to the ProtoCarrier is already programmed and mapped to the various protocols and configurations specifically tested for each protocol are provided. Each configuration is virtually plug and play for each of the protocols.

## Features/Benefits

- √ The most flexible and versatile multi-protocol bridging product on the market.
- √ Add new protocol capability easily to new and existing products with minimal engineering resources.
- √ Increase OEM sales in new markets with ProtoCessor and ProtoCarrier.
- √ TRUE protocol translation and not Protocol packet Encapsulation.
- √ Interfaces to over 80 Building and Industrial Automation Protocols.
- √ Bridges to Modbus RTU, BACnet MSTP, BACnet/IP, Modbus TCP, Allen Bradley EtherNet/IP, Metasys N2, LonWorks and more.
- √ Multi-Client and Multi-Server support ensures Interoperability between any Industrial and or Building Automation protocols.



### Specifications

#### Supported Electrical Connections

##### Host Connection to OEM Product (via ProtoCarrier)

ProtoCarrier-485 RS-485 Phoenix 6-pin connector

- 3 pins for RS-485 +/- Frame Ground
- 3 pins for Power +/- Frame Ground

ProtoCarrier-232 (DCE or DTE)

- DB-9 Male RS-232 Male or Female

##### Field Connections (via 2 versions of ProtoCessors)

FFP-485 ProtoCessor

- RS-485 - 3 pin connector RS-485 +/- Frame Ground
- 1 10/100BaseT Ethernet port

FFP-LON ProtoCessor

- 2 pins for LonWorks
- 1 10/100Base T Ethernet port

#### Power Requirements

Power : 9-30 VDC or VAC or 5 VDC

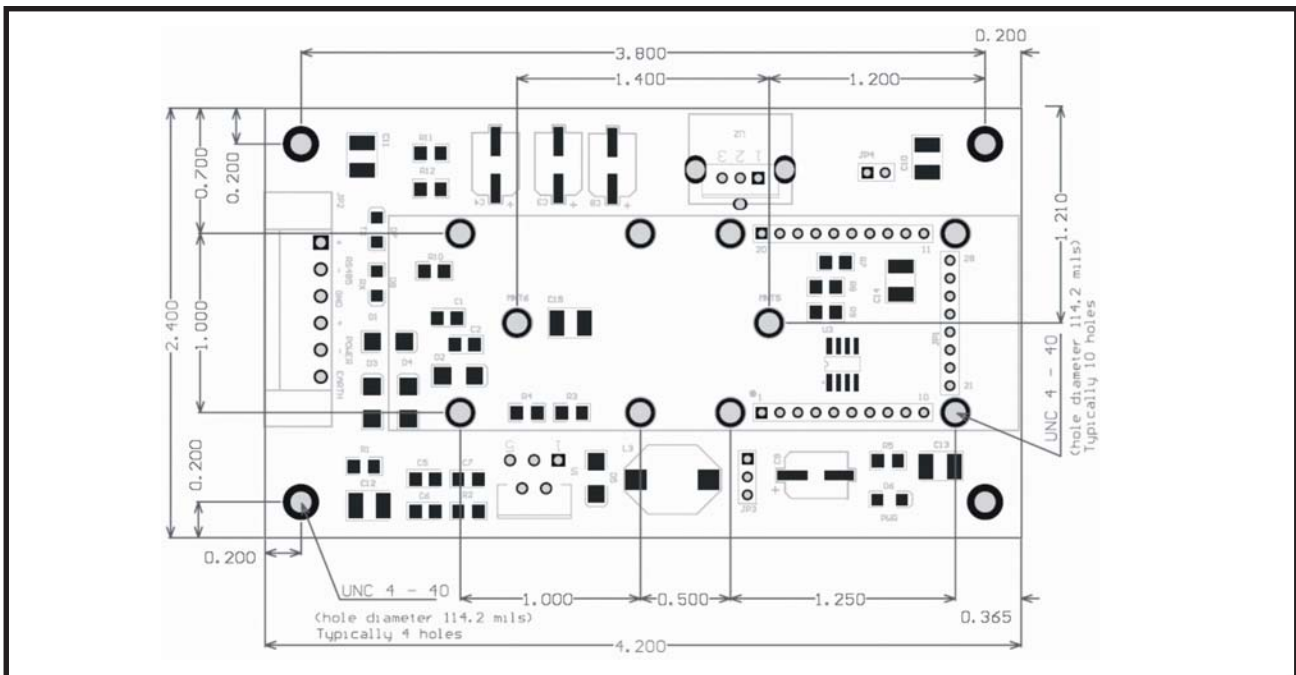
#### Mounting

Dimensions: 1.2 x 2.2 x 4.2 inches (HxWxL)  
3.05 X 5.60 X 10.67 cm

Mounting holes Six (6) mounting holes for easy placement

#### Warranty

Warranty: Two years



#### ProtoCarrier Mechanical Drawing

(All mounting holes on the board are made to fit a UNC 4-40 sized bolt)



When using a ProtoCessor with ProtoCarrier, it is necessary to order both the ProtoCarrier and the ProtoCessor: