

4

3

2

1

D

D

C

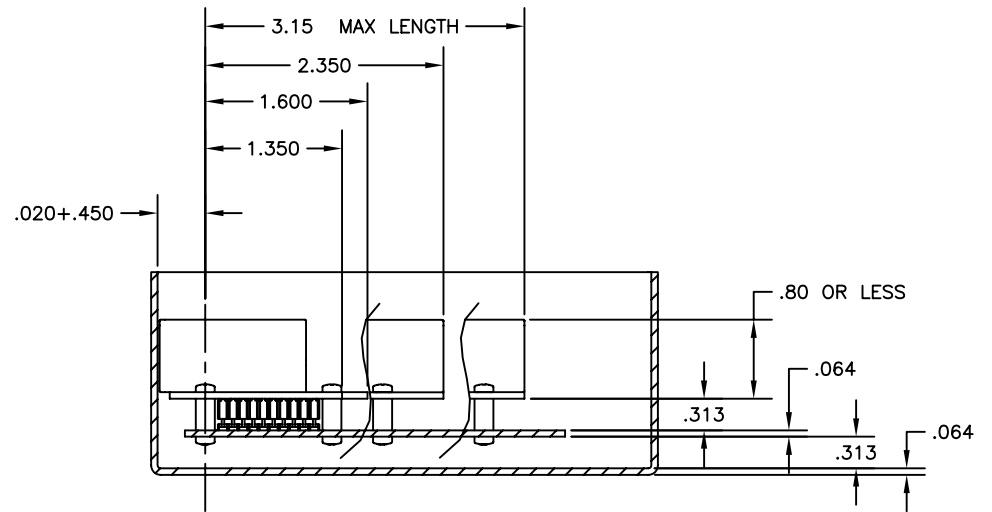
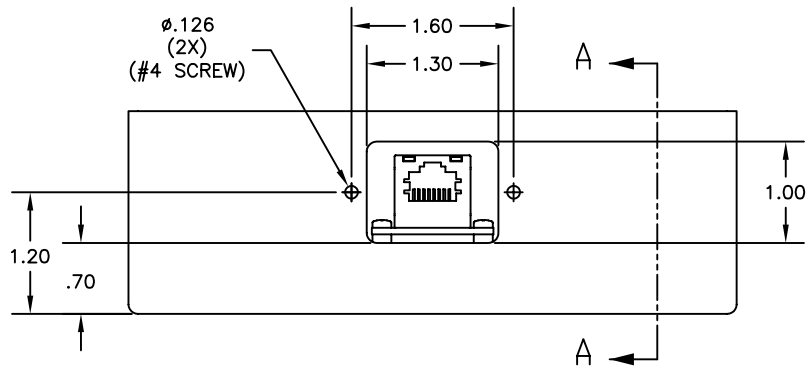
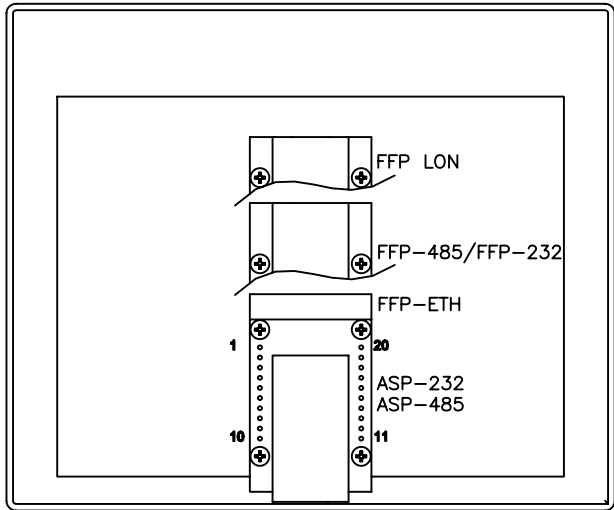
C

B

B

A

A



SECTION A-A

ProtoCessor (408)262-2299

Enclosure Mechanical Design

FILE # PROTO-ENCL-1.dwg	DATE: 10/19/05	BY: MN
-------------------------	----------------	--------

4

3

2

1